

PHILIPS Electronic Ballast
HID-AV C 70/S for CDM-T Elite Light Boost



Product description

AspiraVision is the mark of excellence in HID electronic gear technology – high-end, compact, lightweight and easy to use, with added features for optimal performance of 35 and 70 W CDM lamps

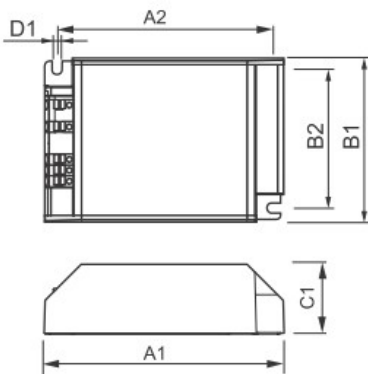
Features

- SOFTSTART allows installation with fewer circuit breakers
- Loop Through allows faster, cost-efficient installation

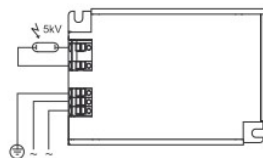
- Longer lifetime
- SOFT START feature
- Loop Through feature (in independent version)
- Improved thermal performance
- Low electromagnetic interference
- Voltage Drop Detection

Applications

- 35 and 70 W: accent and decorative lighting for shops, public spaces, lobbies and offices
- Suitable for indoor use only



Product	A1 (Norm)	A2 (Norm)	B1 (Norm)	B2 (Norm)	C1 (Norm)	D1 (Norm)
HID-AV C 70 /S CDM 220-240V 50/60Hz	110.5	98.5	63.7	-	32.3	4.5



- Rated Number of Lamps: 1 piece
- Rated Ballast-Lamp Power: 70W
- Rated Lamptype: CDM
- Line Voltage: 220-240 V
- Line Current: 0.45 A
- Line Frequency: 50/60 Hz
- Lifetime 90% surv.@Tcaselife: 40000 hr
- Suitable for Outdoor use?: No
- Automatic restart: Yes

- Max ballast on MCB(16A type B): 32 x
- Lamp Power Tolerance: -3%/+3%
- Earth leakage current: 0.25 (max) mA
- Mains voltage safety(AC): -18%/+10%
- Mains voltage performance (AC): -10%/+6%
- Min. Mains voltage operational:198 (min) V
- Output peak voltage: 4000 (max) V
- Overvoltage protection 320Vac: 48 hr
- Overvoltage protection 350Vac: 2 hr



凡球照明股份有限公司

台北縣三重市光復路二段 80 號 9 樓之 7

TEL:02-85123888 FAX:02-85123439

<http://www.circleworld.biz>

Email: john@circleworld.com.tw